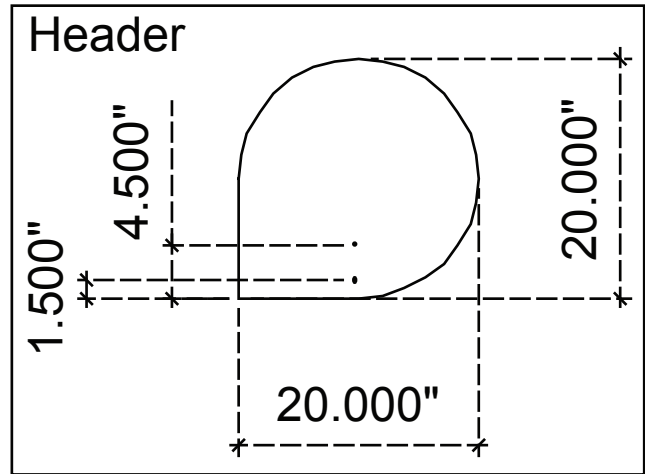


Product Name: MOD-1270
Process: Print-On-It
Material: 1/4" sintra
Effective Date:



NOTE: Graphic files must be @ 150 dpi Finished Size.
 DO NOT send Flattened Files. Production can not manipulate
 the content, proportion or color of these files.

NOTE: Test frames may be required for guaranteed fitting of graphics